

About Us



Construction consulting company
DAI-ICHI-CONSULTANTS CO.,LTD.

Company Profile

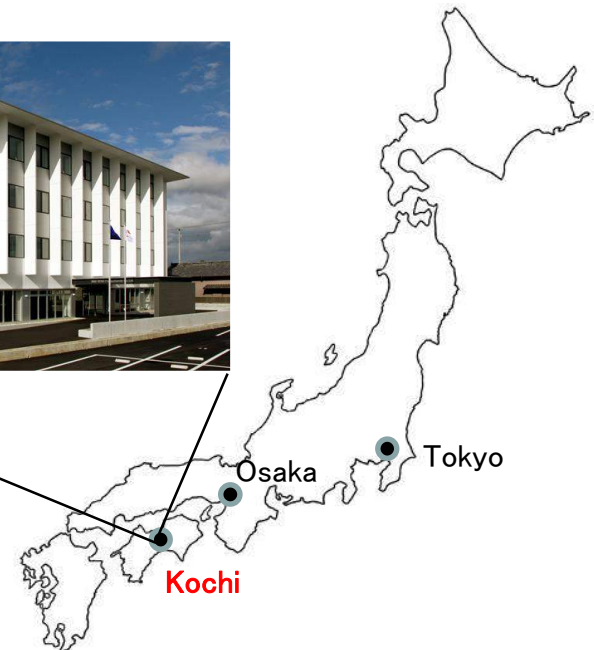
Name DAI-ICHI-CONSULTANTS CO.,LTD.
President Takeshi Ushiro, D.Eng.
Established 29 November, 1963
Sales in 2018 1,971 Million Yen (17.75 Million USD)
Number of employees 126(April, 2018)
Address 828-1 Kera-ko, Kochi City, 781-5105 Japan



Takeshi Ushiro



Head office



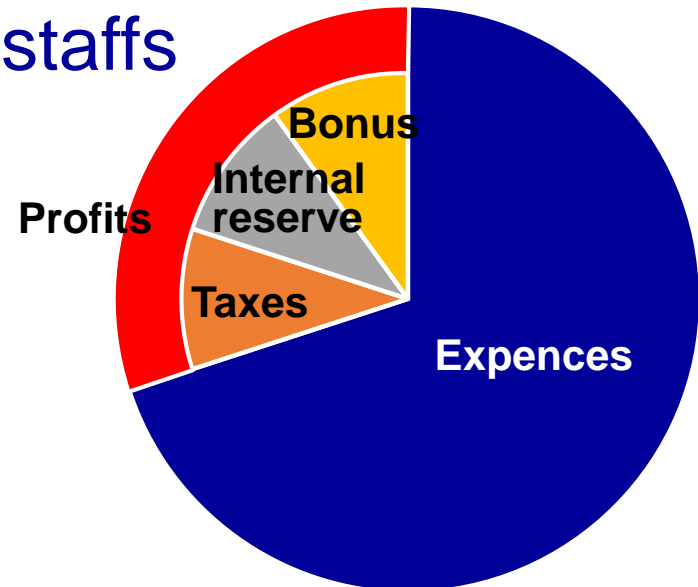
Management Policy “Staffs are a family.”

- ✓ Make a workplace where employees can grow into excellent people with high technical availability.
- ✓ Carry out management that care for the health of staffs.
- ✓ Perform personnel evaluation of competence principles regardless of age, sex, career or nationality.
- ✓ 1/3 of profits are returned to employees as bonuses.

What's the management for?



1/3 of profits returned to staffs



Business field 1

Road design



Bridge design



Infrastructure maintenance



River design



Slope disaster prevention



Tunnel design



Business field 2

Survey



Drone shooting



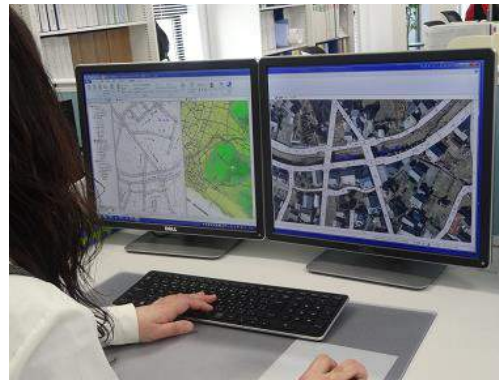
Geological survey



Architectural design



Disaster prevention planning



Technology development



Cases of road planning and design

Current status



Completion expectation



Current status

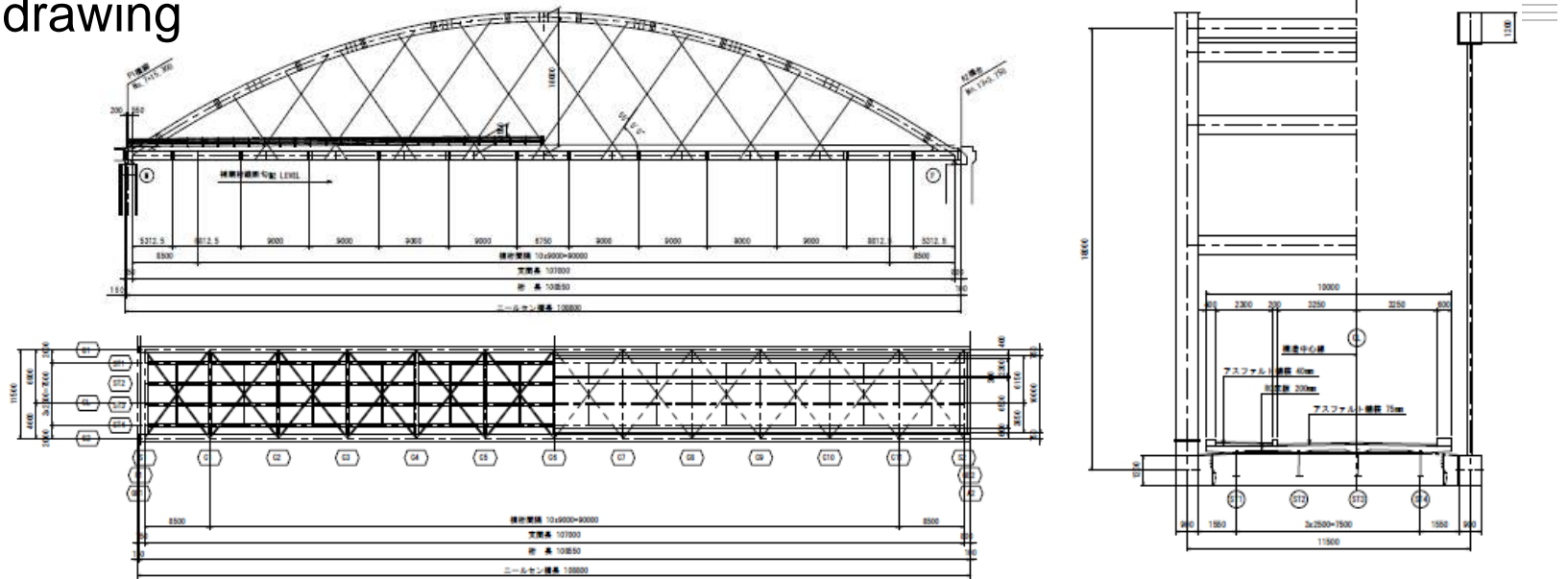


Completion expectation



An example of bridge design

Design drawing

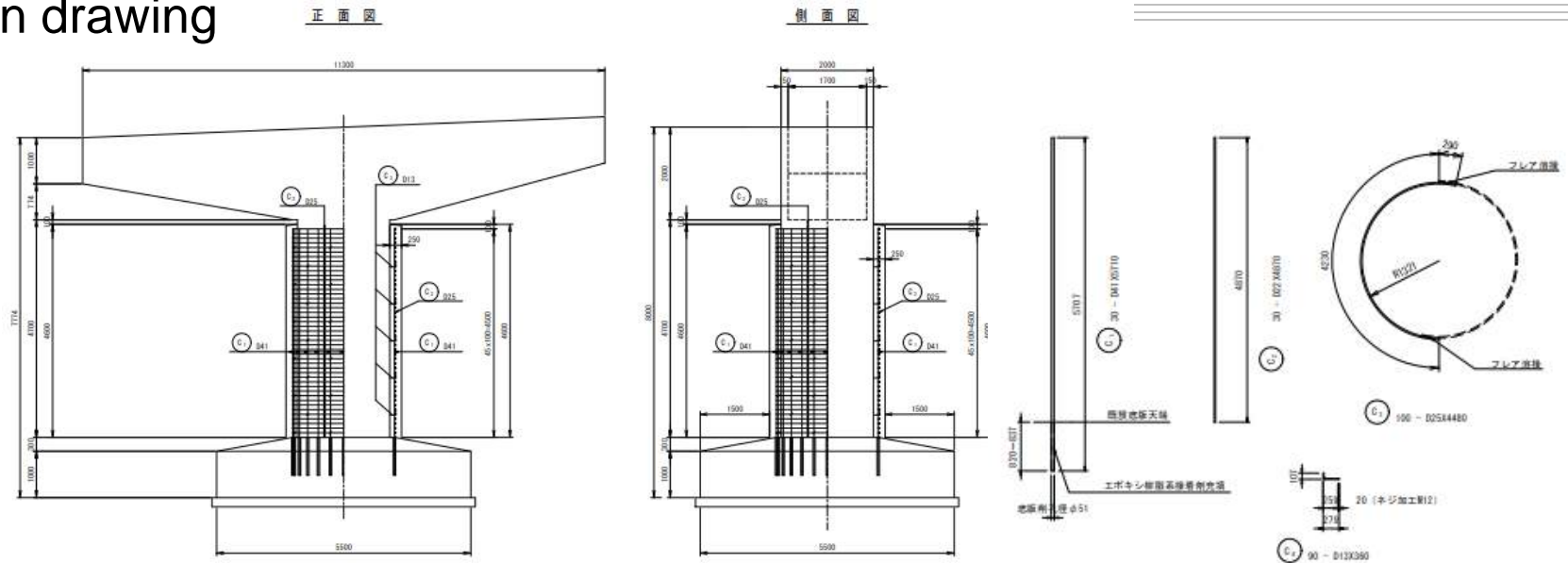


Completion expectation



An example of seismic reinforcement design

Design drawing



After completion



Work environment

Office



Lunch time



Tea time



Company trip

Europe, 2018

Italy



France



Germany



Central Japan, 2017



Guam, 2016



Hokkaido Island, Japan, 2015



In-house sports clubs

Baseball club



Football club



Athletics club



Golf Club



Surf club

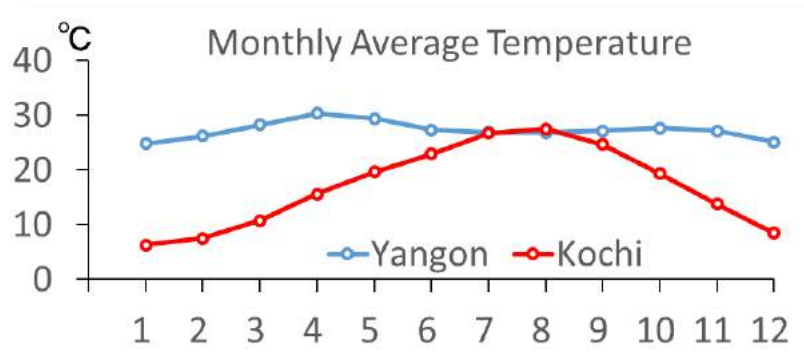


Charm of Kochi Prefecture



Area 7,100km²
Population 705,000

People in Kochi Prefecture are very kind and their personality is bright. Kochi prefecture has many fish and fruits that are fresh and delicious.



Places of interest in Kochi



Chikurin-ji Temple



Kochi Castle



Cherry blossoms at Kochi Univ. Tech.



Katsurahama Beach

Sunday Market, Hirome Market

Sunday Market



Hirome Market



Yosakoi Festival (August 9 to 12)



Dances with “naruko” wooden clappers



Decorated float, “Jikatasha”



More information about Kochi



<http://visitkochijapan.com/about/>

Let's work together!



Company profile of Dai-ichi Consultants Co., Ltd.

March, 2019

Edited and Published by Dai-ichi Consultants Co., Ltd.

828-1 Kera-ko, Kochi City, 781-5105 Japan

Tel +81-88-821-7770 Fax +81-88-821-7078